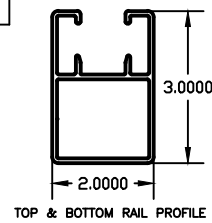
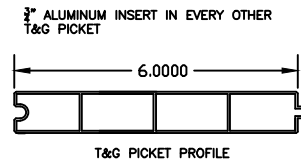
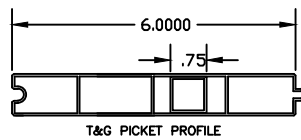
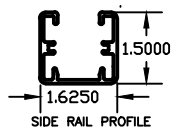
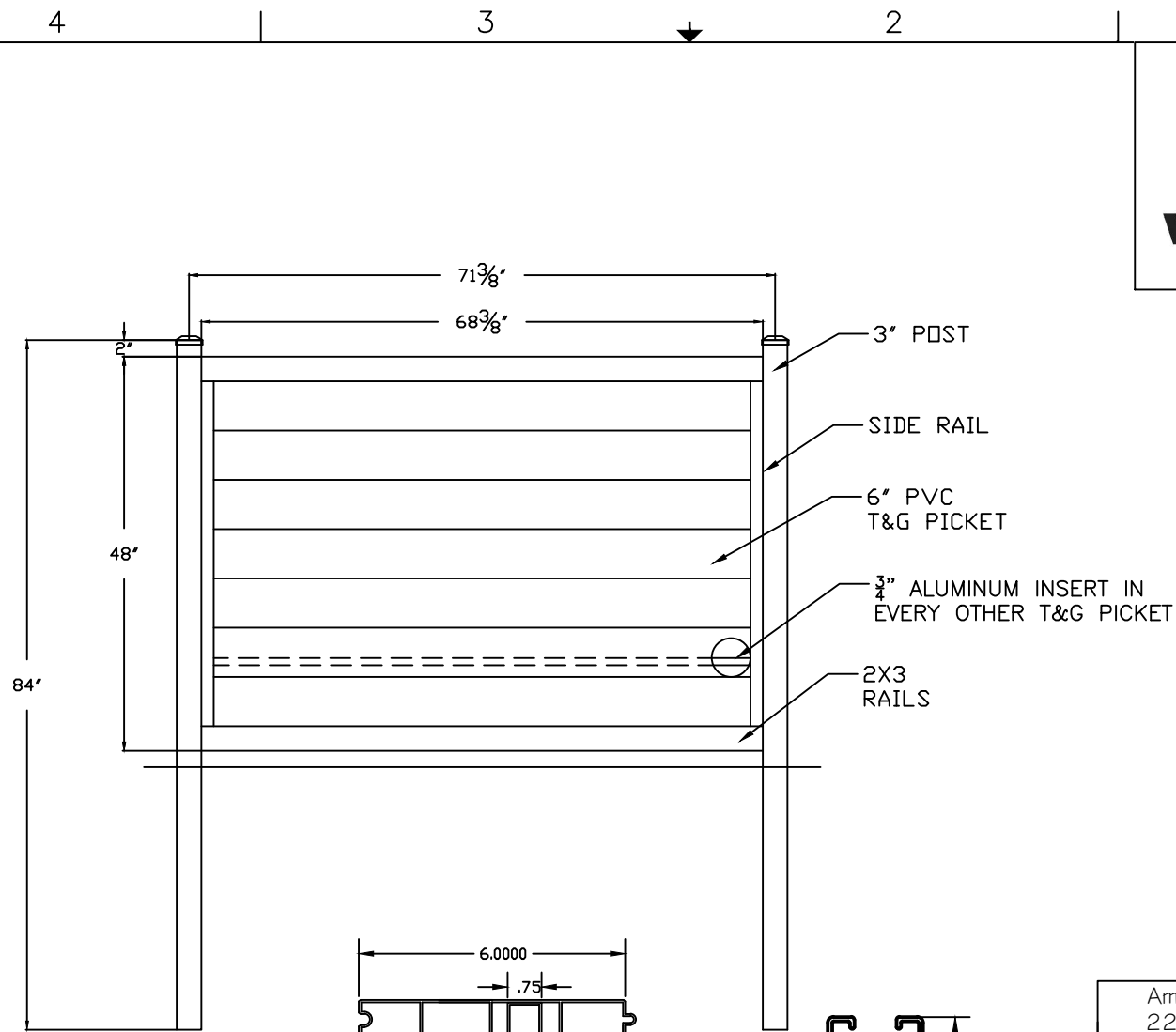




VANGUARD™
ALUMINUM FENCES



| | | |
|--|--------|-----|
| American Fence Systems Inc. 2279 South Clinton Avenue South Plainfield, N.J. 07080 | | |
| DRAWING | | |
| TYPE: ;LANGUARD | | |
| STYLE: HORIZONTAL PRIVACY | | |
| HEIGHT: 4' | | |
| DATE | DWG NO | REV |
| 06/01/23 | LTGHP4 | |
| SCALE | SHEET | |

USER
RE/DATE
FNAME